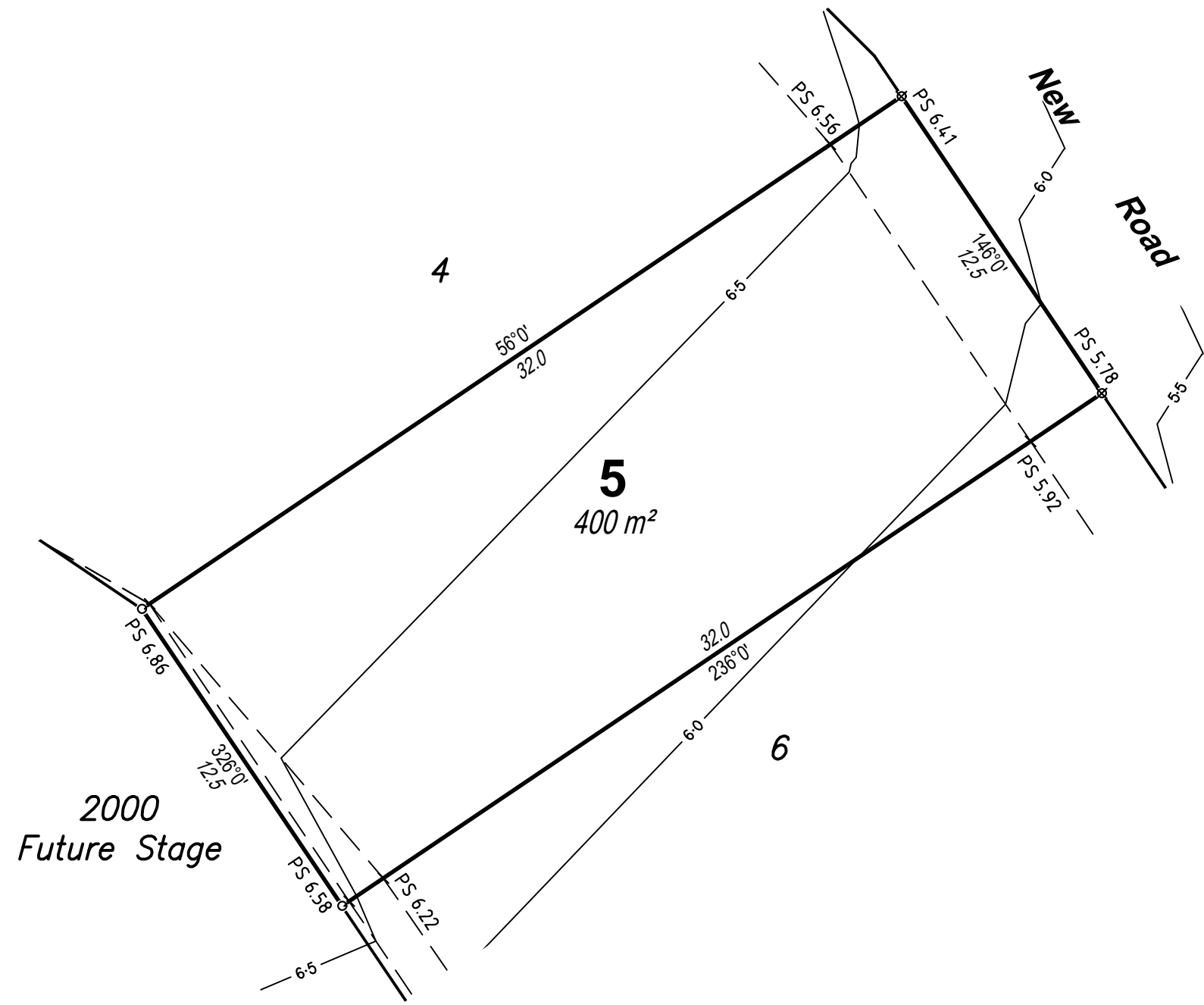


The Contractor shall complete all allotment earthwork operations in such a manner, to allow an approved Geotechnical testing company's certification that site filling has been placed as Level 1 "Controlled Fill" in accordance with the provisions of AS 3798-2007.

The frequency of control testing shall be in accordance with the provisions of Table 8.1 of AS 3798-2007.



# DISCLOSURE PLAN

For Proposed Lot 5  
on SP289853,  
North Harbour  
Stage 23

CURRENTLY DESCRIBED AS  
RPD Lot 2000 on SP279976

LOCALITY Burpengary East  
LOCAL AUTHORITY Moreton Bay Regional Council

### Legend

- Area of Fill
- Proposed Surface Contour
- Fill Depth Contour
- Proposed Surface Level PS 6.120
- Proposed Earthworks Batter

### Notes

- Area & Dimensions are subject to Survey Plan Registration.
- Proposed contours, fill and retaining wall details are compiled from the engineering design plans provided by KN Group Pty Ltd, received on 05/07/2017.
- Due to plotting limitations the retaining walls shown are indicative only and may not show the true width of the wall.
- Levels shown are referenced to the Australian Height Datum (AHD)
- This plan was prepared to satisfy Section 11 of the *Land Sales Act QLD 1984*.
- Builders shall not build off the design levels shown; a site survey is required.
- These notes are an integral part of this plan.

SCALE  
1:200
SHEET SIZE  
A3

© COPYRIGHT PROTECTS THIS PLAN  
Unauthorised reproduction or amendment  
not permitted. Please contact the author.

RPS Australia East Pty Ltd  
743 Ann Street  
Fortitude Valley Qld 4006  
t: +61 7 3237 8899  
f: +61 7 3237 8833  
www.rpsgroup.com.au

This plan has been prepared by RPS Australia East Pty Ltd (Cadastral Surveyor) to satisfy the requirements of the Land Sales Act 1984.

DWG. 20430 Stage 23 Dis | SH. 1 of 1

DATE	PROJECT	PLAN	AMD.
19/07/17	20430	197/5	-